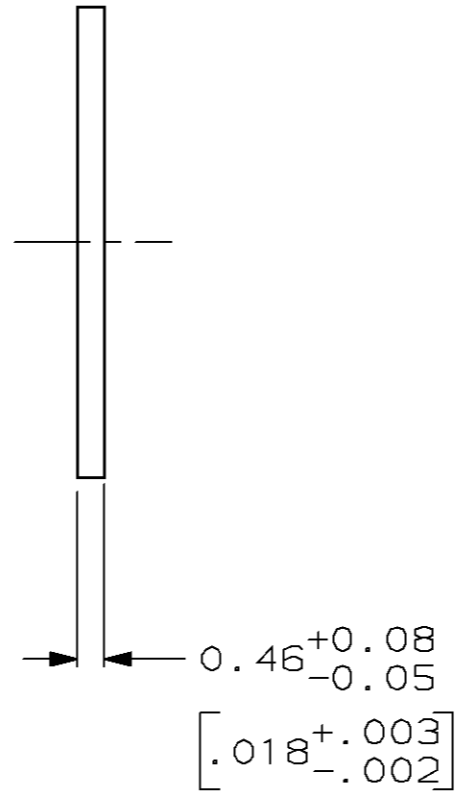
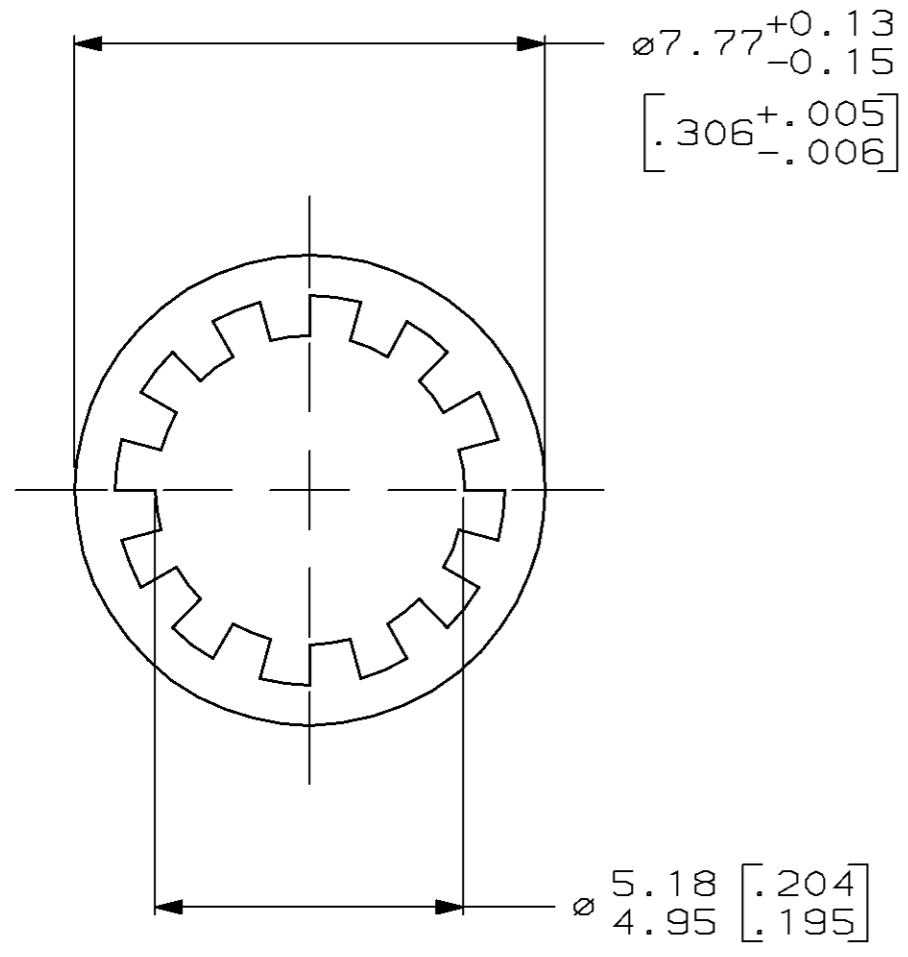


THIS DRAWING IS UNPUBLISHED. RELEASED FOR PUBLICATION, 19 .
 © COPYRIGHT 19 BY AMP INCORPORATED. ALL RIGHTS RESERVED.

LOC	DIST	REVISIONS					
		P	LTR	DESCRIPTION	DATE	DWN	APVD
AJ	16		0	RELEASED CUSTOMER DRAWING PER 0503-0324-97	2-3-97	JG	SB
			A	REVISED PER 0503-0603-97	9-30-97	JG	SB



- 1 MATERIAL: PHOSPHOR BRONZE PER (QQ-B-750)
- 2 2.54 μm [.000100] MIN THK NICKEL PLATE OVER
1.27 μm [.000050] MIN THK COPPER PLATE
- 3 0.76 μm [.000030] MIN THK GOLD PLATE OVER
2.54 μm [.000100] MIN THK NICKEL PLATE OVER
1.27 μm [.000050] MIN THK COPPER PLATE

3	415001-3
2	415001-2
FINISH	PART NUMBER

THIS DRAWING IS A CONTROLLED DOCUMENT.		DWN J.L.GROFT	AMP AMP Incorporated Harrisburg, PA 17105-3608
DIMENSIONS: mm [INCHES]		CHK S.W.BURHOLDER	
TOLERANCES UNLESS OTHERWISE SPECIFIED:		APVD S.W.BURHOLDER	NAME
0 PLC ±- 1 PLC ±- 2 PLC ±- 3 PLC ±- 4 PLC ±- ANGLES ±-		PRODUCT SPEC -	LOCKWASHER
MATERIAL 1		APPLICATION SPEC -	
FINISH 2 3		WEIGHT -	SIZE A3
		CUSTOMER DRAWING	CAGE CODE 00779
			DRAWING NO C-415001
			SCALE 8:1
			SHEET 1 OF 1
			REV A